

DEPARTMENT OF CIVIL ENGINEERING NITK, SURATHKAL.**(A) FURNITURE REQUIREMENT FOR CIVIL ENGG. DEPT. BUILDING.****Detailed Specification:****01. Wooden Desk:**

Supplying of Class room Wooden Desks of size **2.15 m x 0.45 m x 0.75 m**, made by using well-seasoned **First class Mahogany wood**, free from knots, with 6 numbers of legs of size 60mm x 60mm. The Desk top & bottom planks should be 25 mm thick Mahogany wood planks. Leg support ties & Central foot rest of size **30 mm** x 50 mm. Top three sides support planks should be **20mm thick**. All the wooden sizes are finished thickness before applying melamine spray polish. All the wooden surfaces should be treated with sanding sealer mixed with thinner, after rubbing with zero size sand paper and applying sealer coat by way of spraying with necessary compressor and after rubbing with steel wool, applying two coats of approved shade of melamine spray polish Interior grade matt finish to provide anti - scratch and anti - strain properties (second coat of melamine spray polish to be applied after drying of first coat) of approved make colour to give good finish as per the specification.

Size : 2.15 m (L) x 0.45 m (W) x 0.75 m (H)

02. Wooden Bench :

Supplying of wooden Bench of size **2.15 m x 0.40 m x 0.45 m** made by using well seasoned **First class Mahogany wood**, free from knots, with 6 numbers of legs of size 60mm x 60mm. The Bench should be provided 30mm thick wooden plank for seat & 20mm thick wooden plank for back rest. 40 mm x 60 mm size wood for seat supports. 60 mm x 30 mm size wood for back supports. 40 mm x 40 mm size wood for bottom leg support ties. All the wooden sizes are finished thickness before applying melamine spray. All the wooden surfaces should be treated with sanding sealer mixed with thinner, after rubbing with zero size sand paper and applying sealer coat by way of spraying with necessary compressor and after rubbing with steel wool, applying two coats of approved shade of melamine spray polish Interior grade matt finish to provide anti - scratch and anti - strain properties (second coat of spray polish to be applied after drying of first coat) of approved make and colour to give good finish as per the specification.

Size : 2.15 m (L) x 0.40 m (W) x 0.45 m (H)

03. Office wooden table with drawer & cabinet:

Supplying of wooden table (with drawer & cabinet as shown in fig.) of size **1.80 m x 0.75 m x 0.75m**, made by using well-seasoned **First class Mahogany wood** with 6 nos. of legs of size 60 mm x 60 mm, leg supports at both sides & central foot rest of size 30mm x 60mm and top supports of size 40 mm x 100 mm. All the wooden sizes are finished thickness before applying polish. The table top should be made of Boiling Water proof marine quality (BWP grade, IS:710) conforming to IS 710 Green /Arched Plywood planks of Phenol bond 25 mm thick for table top,

25mm thick for door cabinet sides, door and drawer. All the internal and external surfaces of the Mahogany wood should be treated with sanding sealer mixed with thinner, after rubbing with zero size sand paper and applying sealer coat by way of spraying with necessary compressor and after rubbing with steel wool, applying two coats of approved shade of melamine Interior grade to provide anti-scratch and anti-stain properties (second coat of polish to be applied after drying of first coat) of approved make and colour to give good finish as per the specification. The external surfaces of the table top, door cabinet and drawer should be laminated with teak wood veneer of 1 mm thick & 0.8 mm thick for internal sides. The exposed edges of the tabletop plywood should be fixed with good quality teak wood beadings. The lamination & edges banding work should be done by Mechanical means with Automatic Roll, pneumatic press, heat & fix with approved adhesive, fine milling the edges, corner rounding, scrapping & buffing for finishing the exposed edges. All the fixtures and fittings like hinges with screws for cabinet door shutter, SS Handle with locking arrangements, fiber bush, etc. should be provided of approved quality and make.

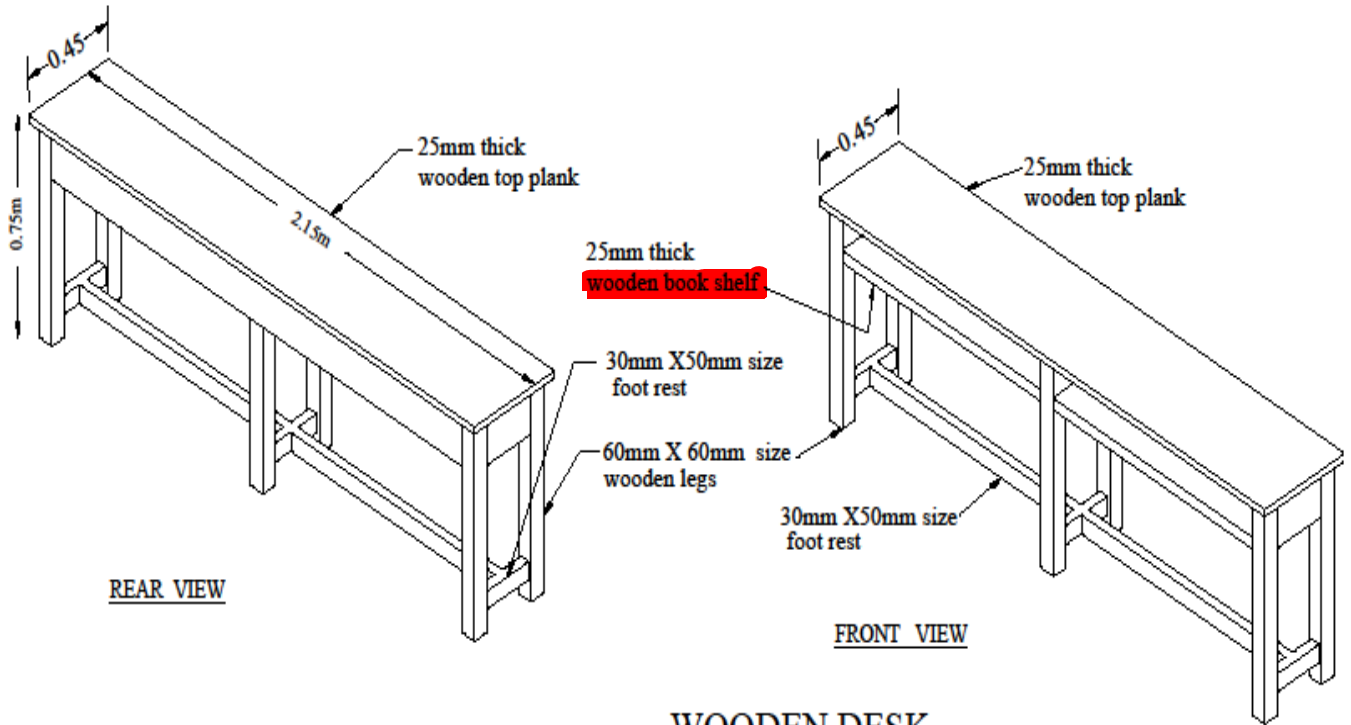
Size: 1.80m (L) x 0.75m (W) x 0.75m H).

04. Computer Table :

Supplying of Computer tables of size 1.20m x 0.60m x 0.75m, prepared by using Boiling Water Proof marine quality (BWP grade, IS:710) conforming to IS:710 Green /Arched Plywood planks of Phenol bond with 25mm thick for door cabinet sides, sliding keyboard drawer, main drawer , **25 mm thick** for table top and side vertical panels as shown in the figure. Table Top and all the external surfaces of the table should be laminated with Greenlam / sunmica of **1.5 mm thick** and 0.8 mm thick for all internal sides. The exposed edges of the table should be finished with 5 mm thick Teak wood edge banding. The lamination & edges banding work should be done in Mechanical means with Automatic Roll, pneumatic press, heat& fix with approved adhesive for lamination & Automatic Gluing Pneumatic pressure press, fine milling the edges. All the fixtures and fittings, fiber bush etc. used should be of approved quality & make.

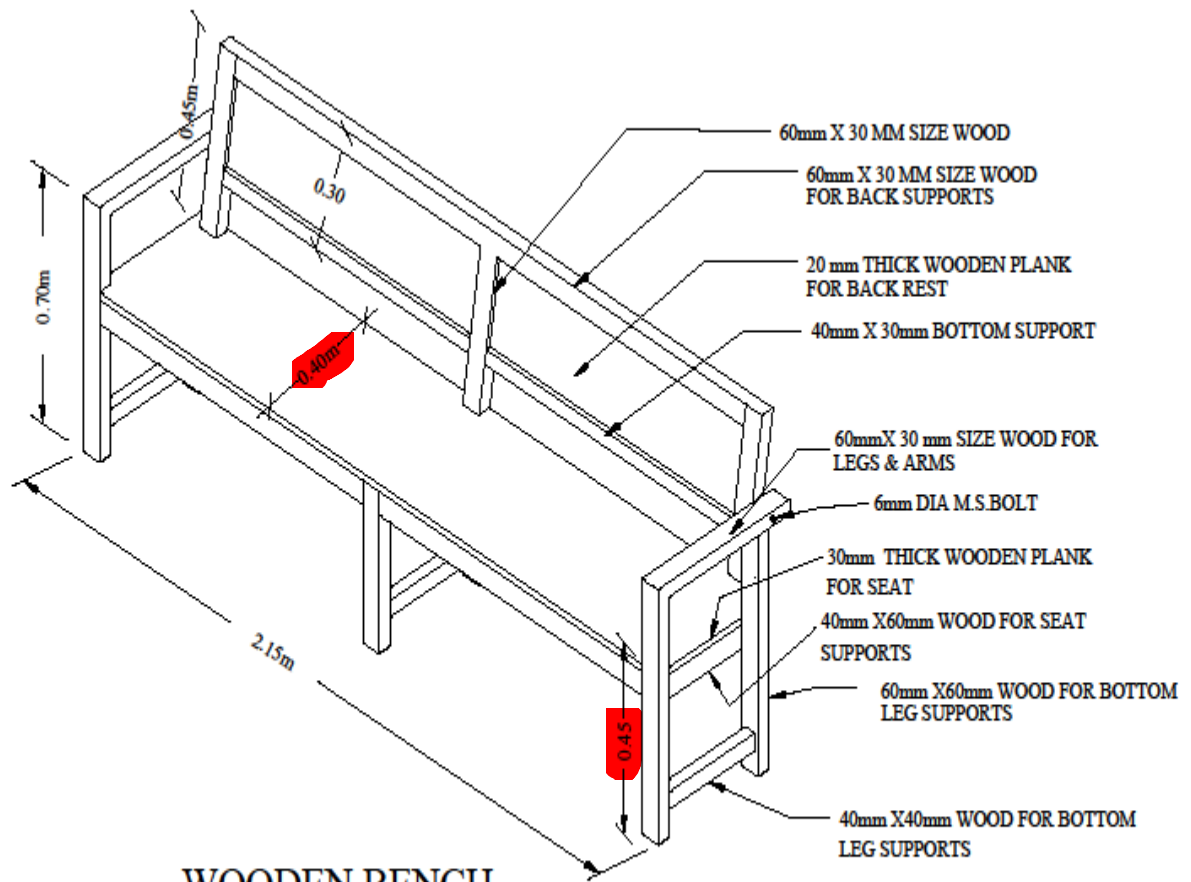
Size: 1.20m (L) x 0.60m (W) x 0.75m (H) .

(A) FURNITURE REQUIREMENT FOR CIVIL ENGG. DEPT. BUILDING.



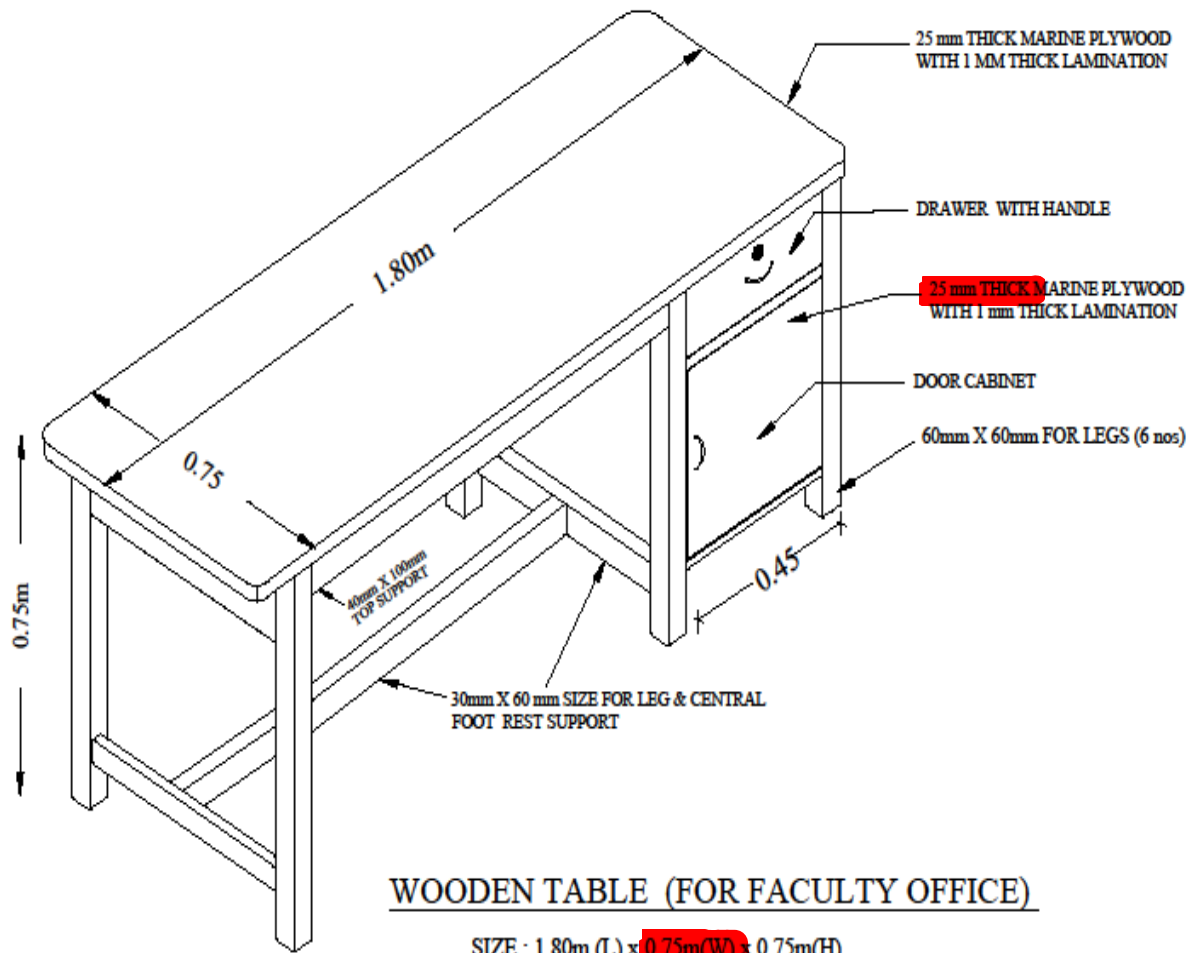
WOODEN DESK

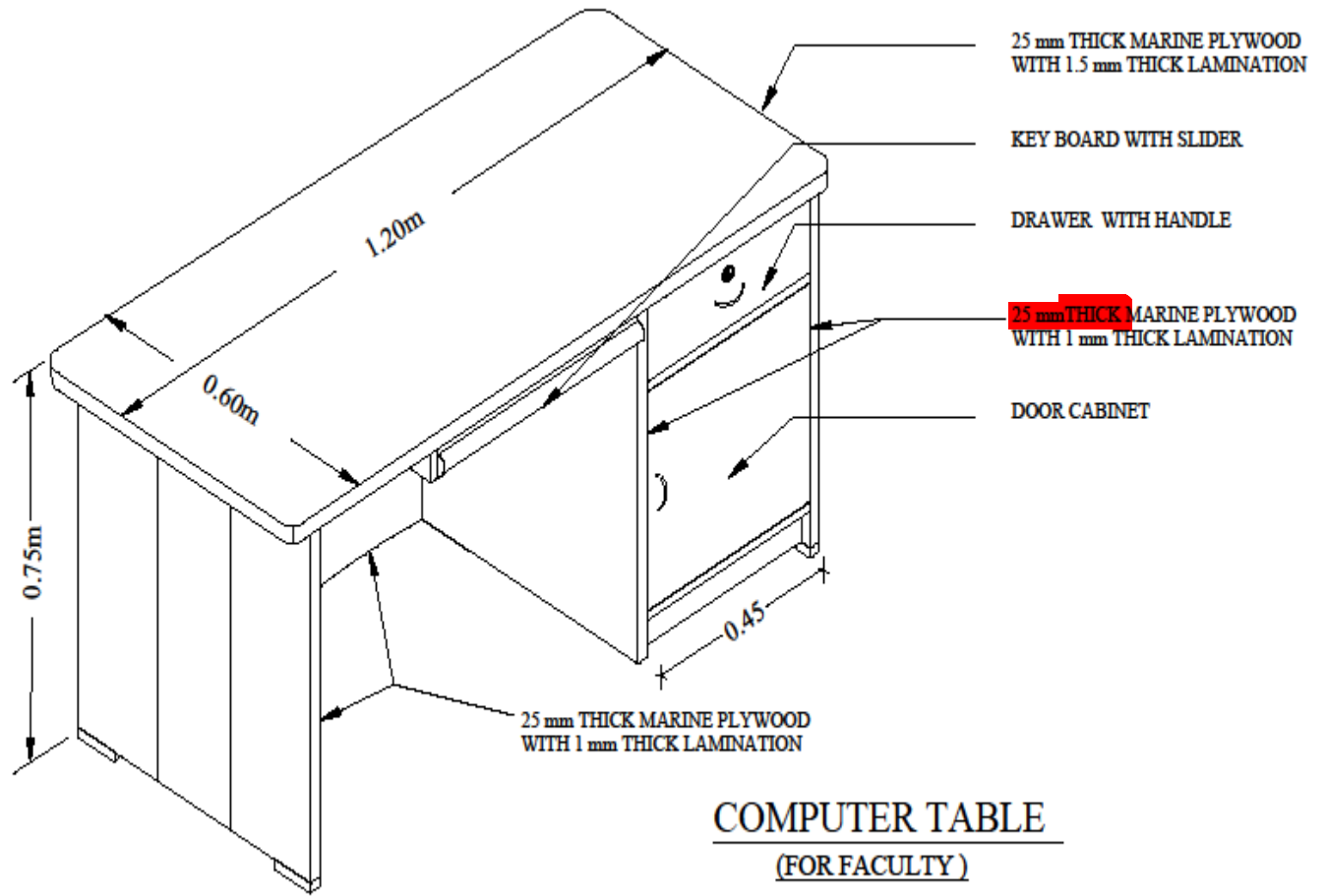
SIZE : 2.15m (L) X 0.45m (W) X 0.75m (H)



WOODEN BENCH

SIZE : 2.15M (L) X 0.40M (W) X 0.45M (H)





(B) FURNITURE REQUIREMENTS
FOR CIVIL ANNEXE IN THE DEPARTMENT OF APPLIED MECHANICS
AND HYDRAULICS BUILDING (4TH, 5TH, 6TH FLOOR)

Detailed Specification:

01. Wooden Desk:

Supplying of Class room Wooden Desks of size **2.15 m x 0.45 m x 0.75 m**, made by using well-seasoned **First class Mahogany wood**, free from knots, with 6 numbers of legs of size 60mm x 60mm. The Desk top & bottom planks should be 25 mm thick Mahogany wood planks. Leg support ties & Central foot rest of size **30 mm** x 50 mm. Top three sides support planks should be **20mm thick**. All the wooden sizes are finished thickness before applying melamine spray polish. All the wooden surfaces should be treated with sanding sealer mixed with thinner, after rubbing with zero size sand paper and applying sealer coat by way of spraying with necessary compressor and after rubbing with steel wool, applying two coats of approved shade of melamine spray polish Interior grade matt finish to provide anti - scratch and anti - strain properties (second coat of melamine spray polish to be applied after drying of first coat) of approved make colour to give good finish as per the specification.

Size : 2.15 m (L) x 0.45 m (W) x 0.75 m (H)

02. Wooden Bench :

Supplying of wooden Bench of size **2.15 m x 0.40 m x 0.45 m** made by using well seasoned **First class Mahogany wood**, free from knots, with 6 numbers of legs of size 60mm x 60mm. The Bench should be provided 30mm thick wooden plank for seat & 20mm thick wooden plank for back rest. 40 mm x 60 mm size wood for seat supports. 60 mm x 30 mm size wood for back supports. 40 mm x 40 mm size wood for bottom leg support ties. All the wooden sizes are finished thickness before applying melamine spray. All the wooden surfaces should be treated with sanding sealer mixed with thinner, after rubbing with zero size sand paper and applying sealer coat by way of spraying with necessary compressor and after rubbing with steel wool, applying two coats of approved shade of melamine spray polish Interior grade matt finish to provide anti - scratch and anti - strain properties (second coat of spray polish to be applied after drying of first coat) of approved make and colour to give good finish as per the specification.

Size : 2.15 m (L) x 0.40 m (W) x 0.45 m (H)

03. Class Room Table :

Supplying of wooden table of size **1.0m x 0.75 m x 0.75m**, made by using well-seasoned **First class Mahogany wood** with 4 numbers of legs of size 50 mm x 50 mm, leg supports at both sides & central foot rest of size 30mm x 50mm and top supports of size **30 mm** x 90 mm. The Table top planks should be made of 25 mm thick mahogany wood. All the wooden sizes are finished thickness before applying polish. All the internal and external surfaces of the wood should be treated with sanding sealer mixed with thinner, after rubbing with zero size sand

paper and applying sealer coat by way of spraying with necessary compressor and after rubbing with steel wool, applying two coats of approved shade of melamine spray Interior grade glossy to provide anti-scratch and anti-stain properties (second coat of melamine spray polish to be applied after drying of first coat) of approved make and colour to give good finish as per the specification.

Size: 1.0 m (L) x 0.75m(W) x 0.75m (H).

04. Working Tables:

Supplying of wooden table of **size 1.80m x 0.75 m x 0.75m**, made by using well-seasoned **First class Mahogany wood** with 6 numbers of legs of size, 60 mm x 60 mm, leg supports at both sides & central foot rest of size 30mm x 60mm and top supports of size 40 mm x 100 mm. The Table top planks should be made of **25 mm thick** mahogany wood. All the wooden sizes are finished thickness before applying polish. All the internal and external surfaces of the mahogany wood should be treated with sanding sealer mixed with thinner, after rubbing with zero size sand paper and applying sealer coat by way of spraying with necessary compressor and after rubbing with steel wool, applying two coats of approved shade of melamine spray Interior grade glossy to provide anti-scratch and anti-stain properties (second coat of melamine spray polish to be applied after drying of first coat) of approved make and colour to give good finish as per the specification.

Size: 1.8m (L) x 0.75m(W) x **0.75m (H).**

05. Office wooden table with drawer & cabinet (Faculty):

Supplying of wooden table (with drawer & cabinet as shown in fig.) of **size 1.80 m x 0.75 m x 0.75m**, made by using well-seasoned **First class Mahogany wood** with 6 nos. of legs of size 60 mm x 60 mm, leg supports at both sides & central foot rest of size 30mm x 60mm and top supports of size 40 mm x 100 mm. All the wooden sizes are finished thickness before applying polish. The table top should be made of Boiling Water proof marine quality (BWP grade, IS:710) conforming to IS 710 Green /Arched Plywood planks of Phenol bond 25 mm thick for table top, **25mm thick** for door cabinet sides, door and drawer. All the internal and external surfaces of the Mahogany wood should be treated with sanding sealer mixed with thinner, after rubbing with zero size sand paper and applying sealer coat by way of spraying with necessary compressor and after rubbing with steel wool, applying two coats of approved shade of melamine Interior grade to provide anti-scratch and anti-stain properties (second coat of polish to be applied after drying of first coat) of approved make and colour to give good finish as per the specification. The external surfaces of the table top, door cabinet and drawer should be laminated with teak wood veneer of 1 mm thick & 0.8 mm thick for internal sides. The exposed edges of the tabletop plywood should be fixed with good quality teak wood beadings. The lamination & edges banding work should be done by Mechanical means with Automatic Roll, pneumatic press, heat & fix with approved adhesive, fine milling the edges, corner rounding, scrapping & buffing for finishing the exposed edges. All the fixtures and fittings like hinges with screws for cabinet door shutter, SS Handle with locking arrangements, fiber bush, etc. should be provided of approved quality and make.

Size: 1.80m (L) x 0.75m (W) x 0.75m H).

06. Computer Table :

Supplying of Computer tables of size 1.20m x 0.60m x 0.75m, prepared by using Boiling Water Proof marine quality (BWP grade, IS:710) conforming to IS:710 Green /Arched Plywood planks of Phenol bond with 25mm thick for door cabinet sides, sliding keyboard drawer, main drawer , 25 mm thick for table top and side vertical panels as shown in the figure. Table Top and all the external surfaces of the table should be laminated with Greenlam / sunmica of 1.5 mm thick and 0.8 mm thick for all internal sides. The exposed edges of the table should be finished with 5 mm thick Teak wood edge banding. The lamination & edges banding work should be done in Mechanical means with Automatic Roll, pneumatic press, heat& fix with approved adhesive for lamination & Automatic Gluing Pneumatic pressure press, fine milling the edges. All the fixtures and fittings, fiber bush etc. used should be of approved quality & make.

Size: 1.20m (L) x 0.60m (W) x 0.75m (H) .

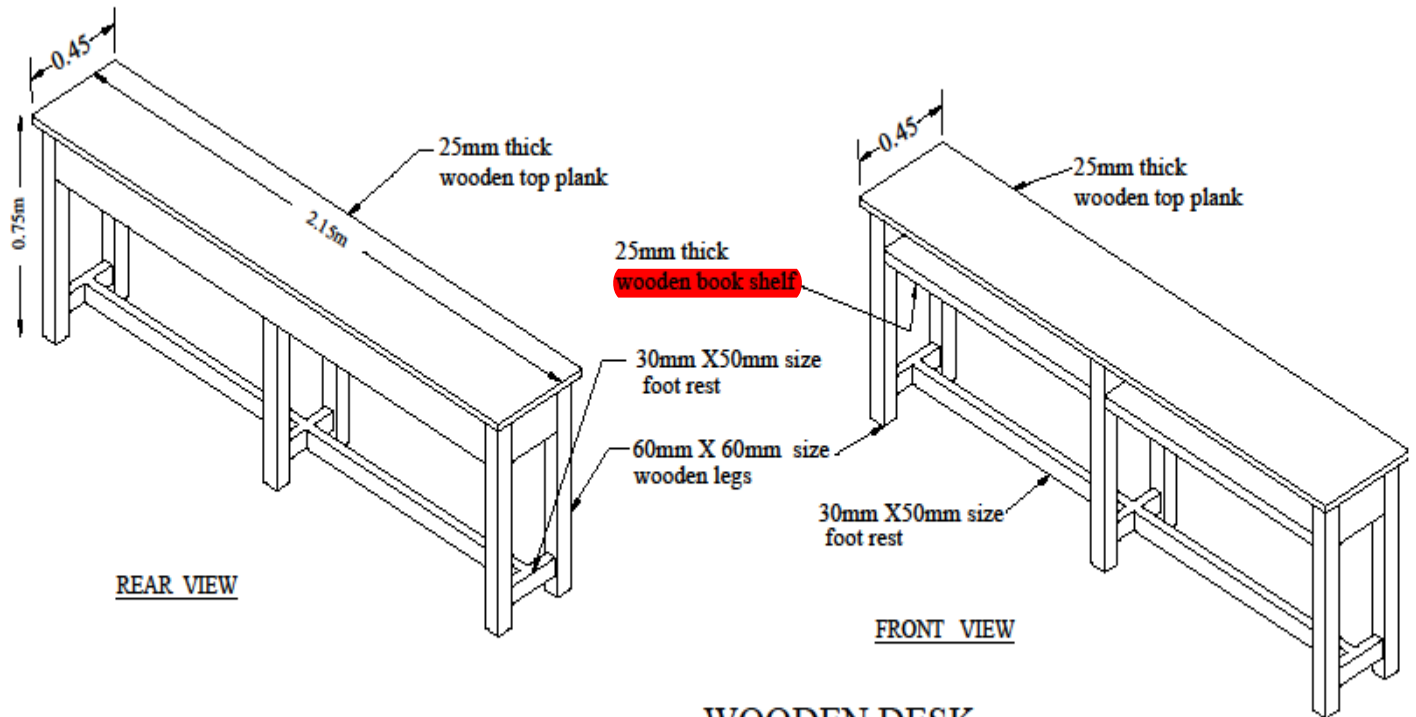
7. Polyurethane Chair:

Chairs made by metal frame with smooth fiber molded seat and adjustable tilting mechanism with swivel mechanism and pneumatic height adjustment with back rest & foot rest and proper locking arrangements without head rest. The seat and medium backrest should be made of molded polyurethane foam with approved density and thickness. The frame should be 100% VOC free powder coating of approved color. The base unit should be made of five nos. of steel legs with high quality twin caster wheels.

Dimensions:

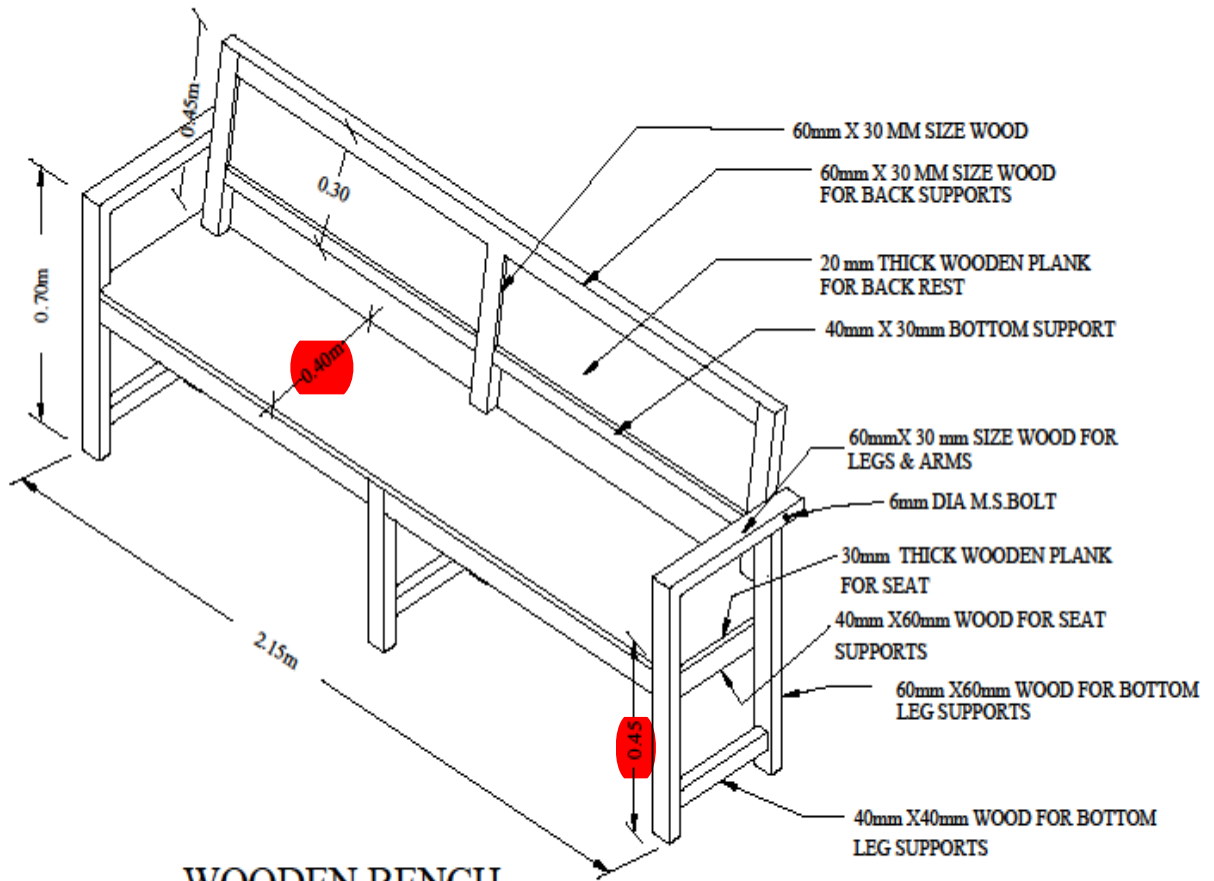
Width-76.3cms, Depth-76.3cm, Height – 103.3-115.3cm, seat height-44.2-54.2cm

B) FURNITURE REQUIREMENTS
FOR CIVIL ANNEXE IN THE DEPARTMENT OF APPLIED MECHANICS
AND HYDRAULICS BUILDING (4TH, 5TH, 6TH FLOOR)



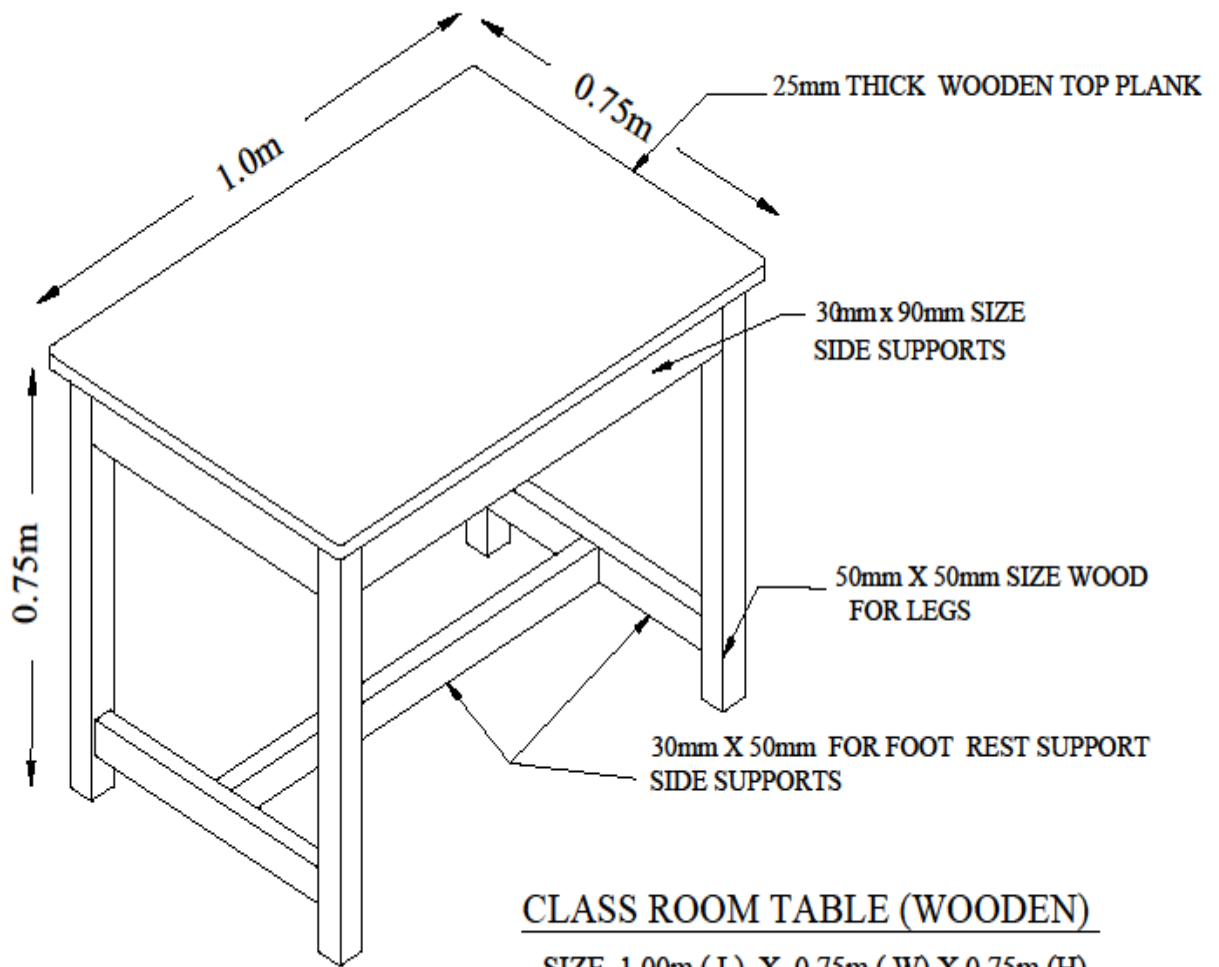
WOODEN DESK

SIZE : 2.15m (L) X 0.45m (W) X 0.75m (H)

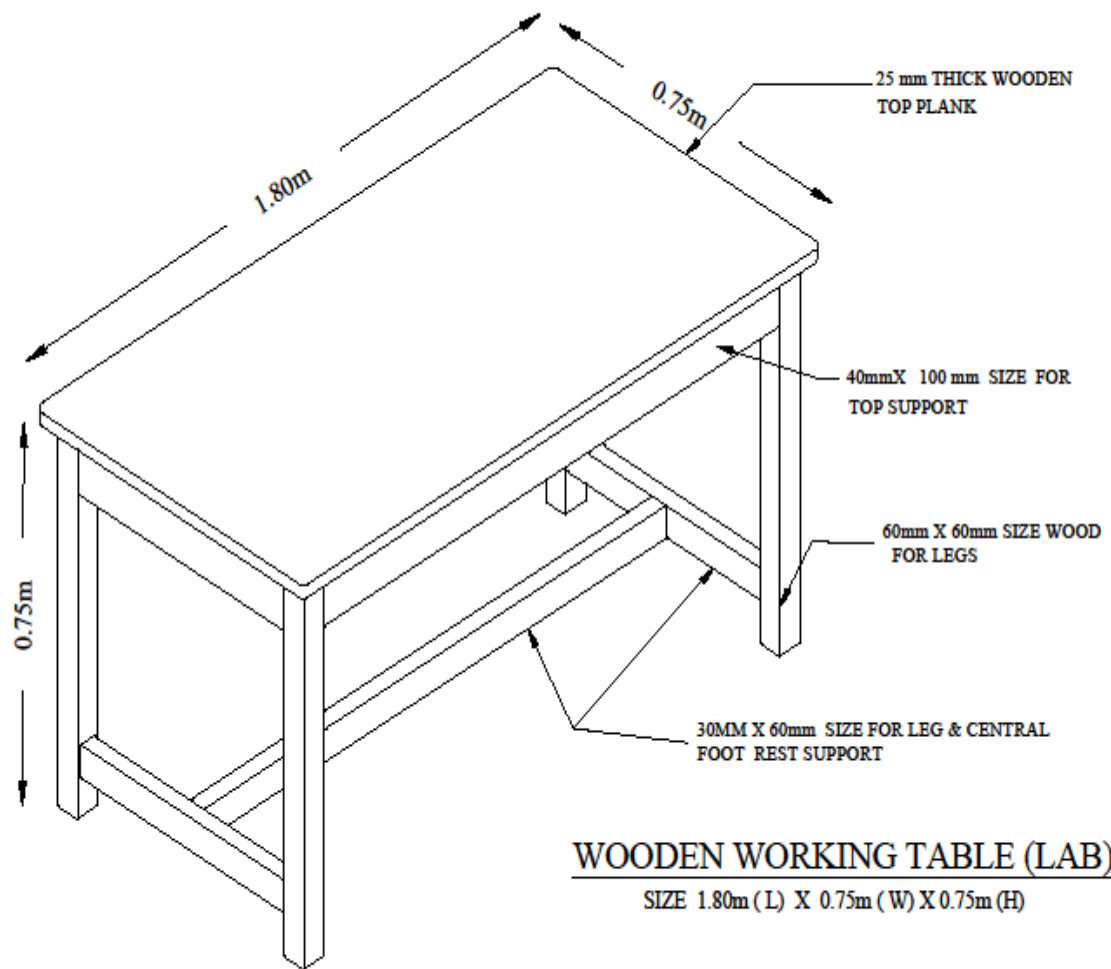


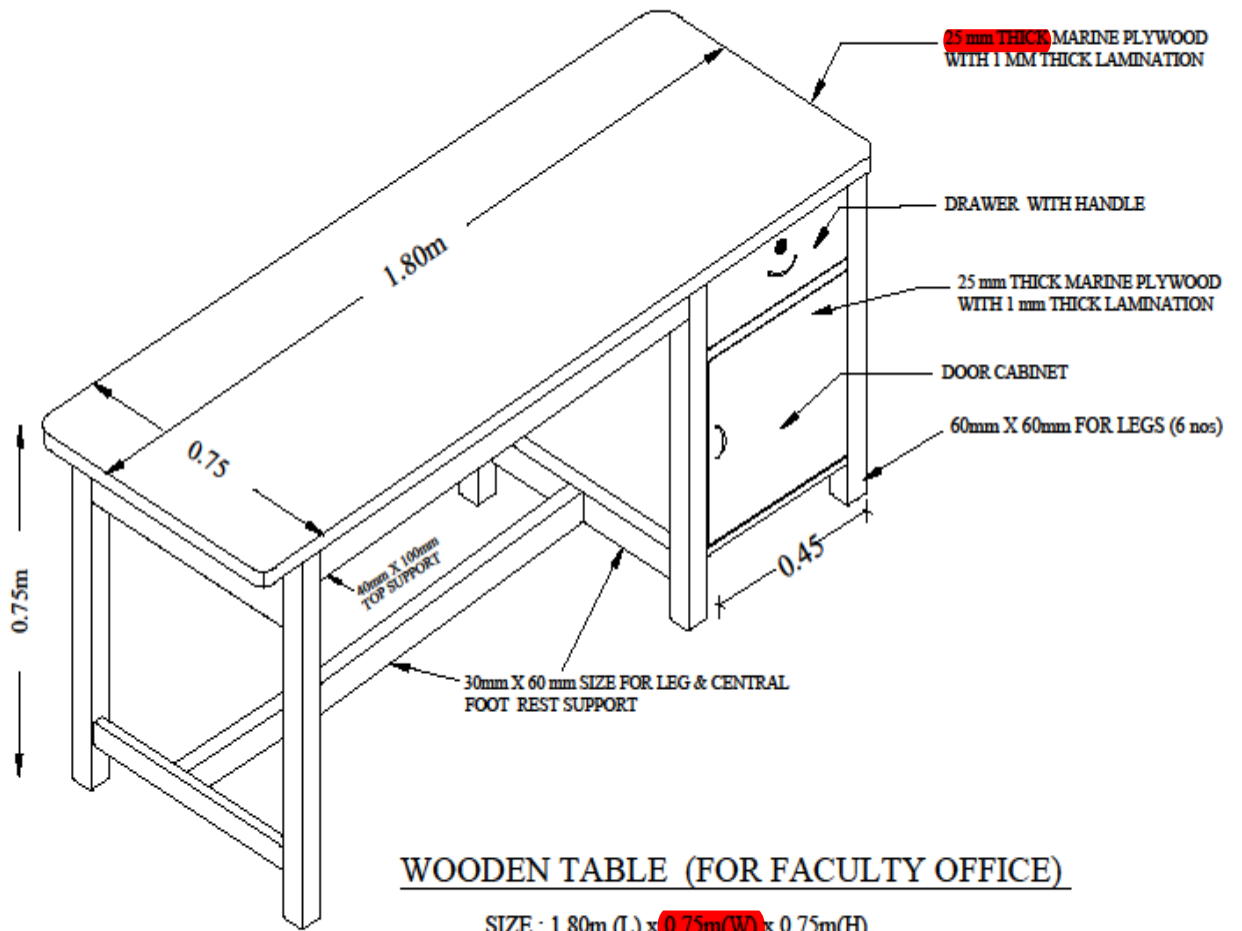
WOODEN BENCH

SIZE : 2.15M (L) X 0.40M (W) X 0.45M (H)



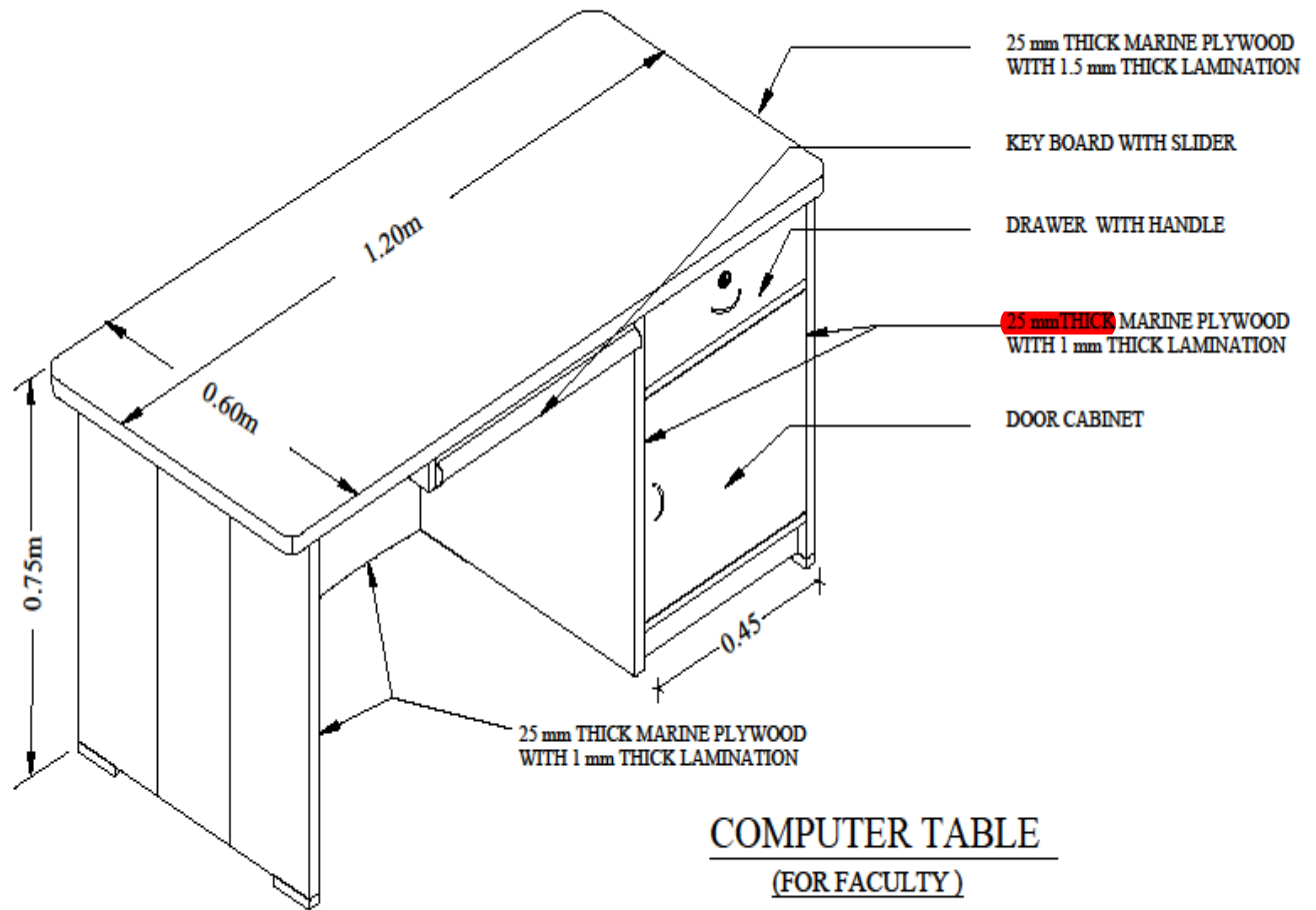
CLASS ROOM TABLE (WOODEN)
SIZE 1.00m (L) X 0.75m (W) X 0.75m (H)





WOODEN TABLE (FOR FACULTY OFFICE)

SIZE : 1.80m (L) x 0.75m(W) x 0.75m(H)



COMPUTER TABLE

(FOR FACULTY)

SIZE : 1.20mm (L) x 0.60mm(W) x 0.75mm(H)



POLYURETHANE CHAIR