



NATIONAL INSTITUTE OF TECHNOLOGY KARNATAKA, SURATHKAL



POST SRINIVASNAGAR, MANGALURU – 575 025

Phone: (0824) 2474 000. Fax: (0824) 2474 033/ 2474 039
E- mail: registrar@nitk.ac.in Website: <http://www.nitk.ac.in>

No. 07/ NITK/ MECH- FUR/OH-35 / 2019-20 / B4

Date: 11- 03 – 2020

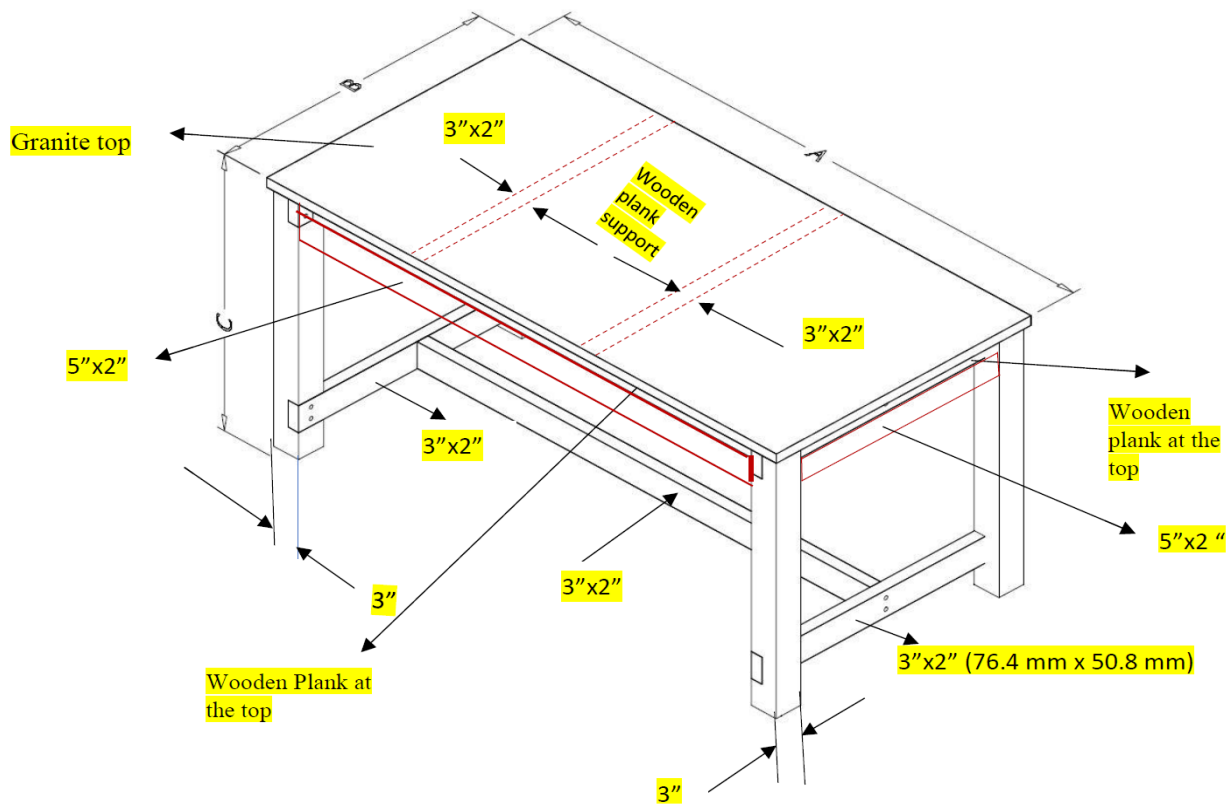
ADDENDUM - 02

Name of Work: Manufacturing, Supply and installation furniture to Mechanical Engineering Department, NITK, Surathkal

Tender Ref.No: 07 / NITK / MECH- FUR / OH-35 / 2019-20 / B4 Dated: 07.02.2020

Attention is invited to the Open Tender ref no. No. 07/ NITK/ MECH- FUR/OH-35 / 2019-20 / B4. The following changes have been highlighted below in yellow color. The below mentioned point is to be noted before quoting the same.

| As existing in the Tender Document Specification | Updated in Addendum-01 Dated 03-03-2020 | To be read as |
|--|---|---|
| Heavy Duty table: Length-1828 mm (6ft), Width (3ft), Height 853 mm (2.8 ft) with granite top. Made of finely polished (18mm) thick jet-black granite top with rounded edge | Heavy Duty Table; Length-1828 mm (6ft), Width 914.4 mm (3ft) , Height 853 mm (2.8 ft) with granite top with rounded edge | Heavy Duty Table: Made by First Class Mahagony Wood (Swietenia Maerophylla) Length – 1828 mm (6ft), Width 914.4 mm (3ft), Height 853 mm (2.8 ft) with granite Top, made of finely polished (18 mm) thick jet-black Granite top with rounded edge. Detailed drawing is given in Figure 1 |



| | |
|--|------------------|
| A | 1828 mm (6ft) |
| B | 914.4 mm (3ft) |
| C | 853 mm (2.8ft) |
| Thickness of Wooden Plank at the top | 25.4 mm (1 inch) |
| Granite Top, made of finely polished thick jet-black Granite top with rounded edge | 18 mm (0.059 ft) |

Figure 1: Heavy Duty table: Corrections highlighted in yellow color may be noted

Antivibration Table:

Antivibration table is a furniture used in Vibration lab for vibration control of lab equipment. These tables are used to provide accurate readings from various Sensitive Electronic Balances/ Instruments, as they support no vibration

Contact Person for Anti-Vibration table: Dr Saurabh Chandraker, Assistant Professor, Department of Mechanical Engineering (Contact no: 9981640044)

Email: saurabh01anizer@gmail.com

The remaining specifications and terms & conditions of the tender are remaining same.

Yours sincerely

Sd/-

REGISTRAR, NITK, Surathkal